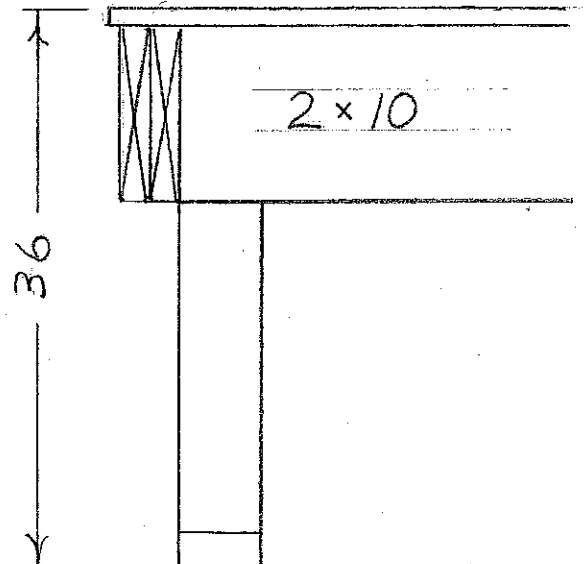


# JOB #1

## STAIR STRINGER LAYOUT

1. Using the total rise indicated, layout one stair stringer on 1/4 plywood provided.
2. Treads are one inch thick.  
( note: 2 risers and 1 tread = 25" )

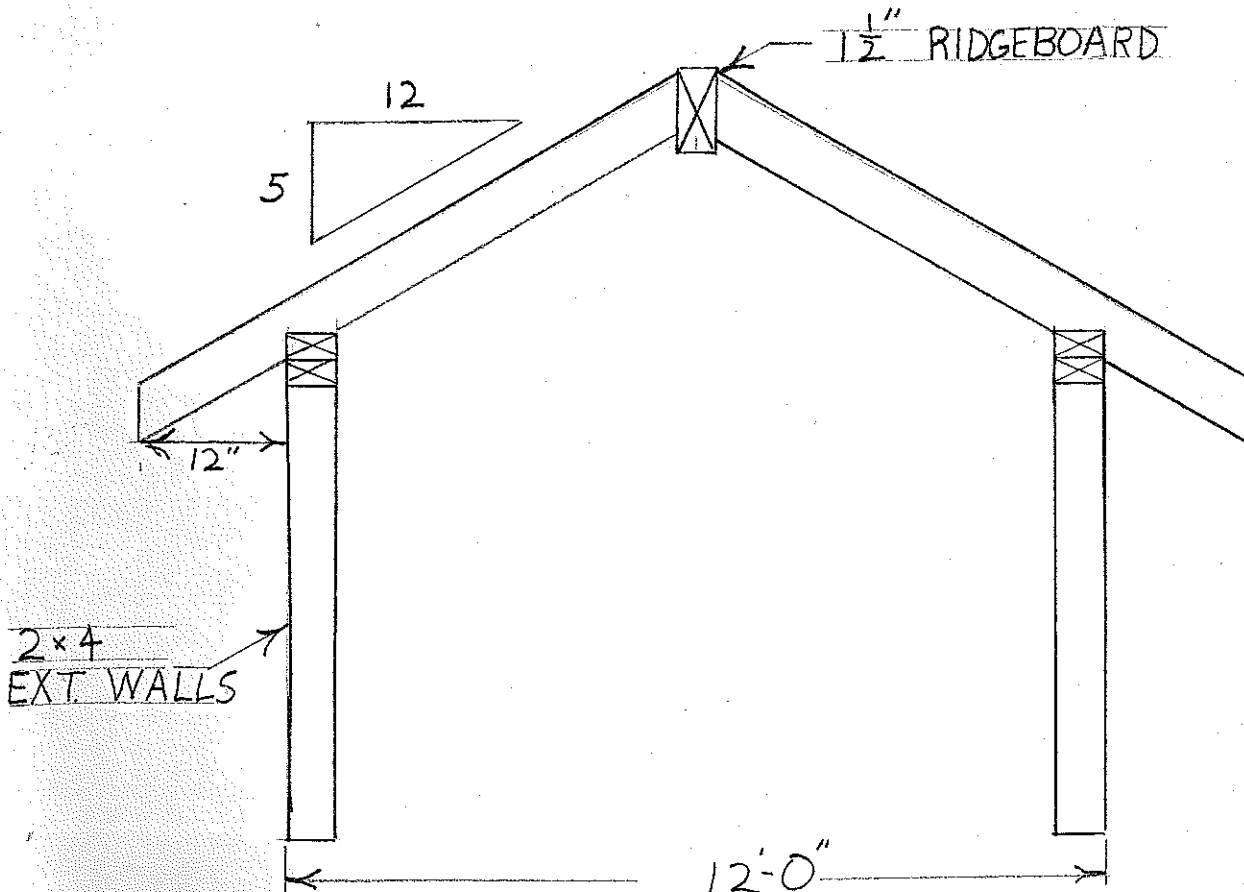


# JOB # 2

## RAFTER LAYOUT

1. Using the sketch below and 2 x 6 provided. Layout a common rafter.
2. Show proper location of bird's mouth, tail and plumb cuts.

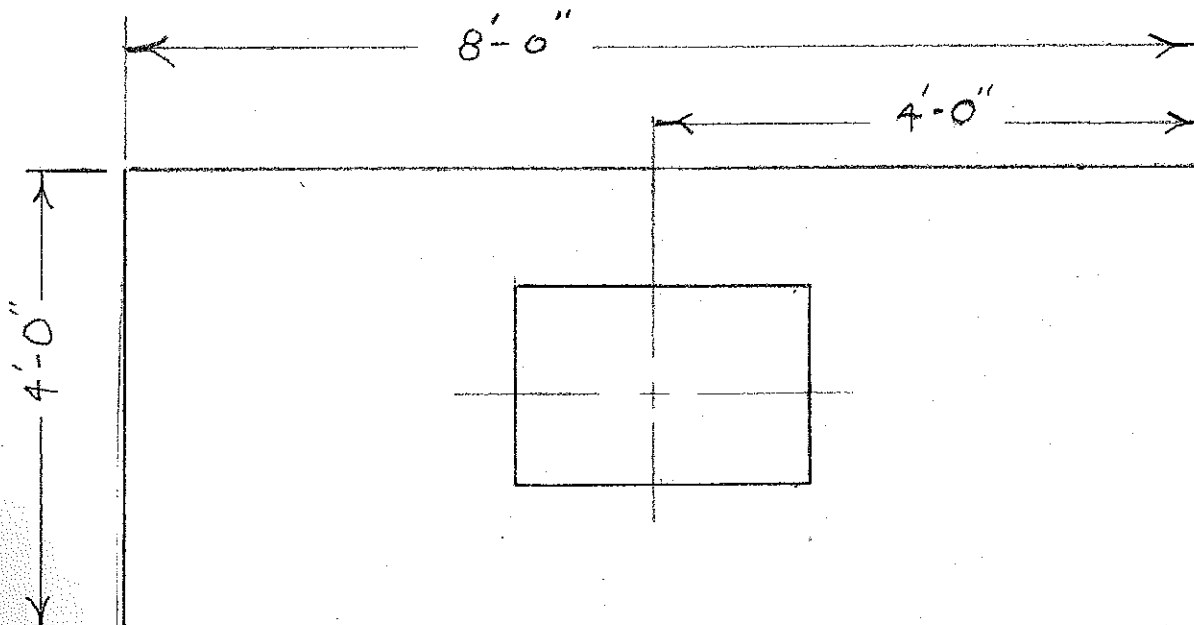
DO NOT CUT OUT!!!!



JOB # 3

WALL CONSTRUCTION

With the drawing below and material provided, construct a wall. All cuts are to be done with a handsaw or hand circular saw. Walls are built 16" O.C. . Walls are 2 x 4 construction. Wall includes double top plate. Window is centered on wall - R.O. size is 1'-6" x 1'-0". Include a 2 x4 header over window. Cut all necessary trimmer and cripple studs. NO corner blocking is required.



## TOOL LIST

- Tape Measure
- Hammer
- Framing Square
- Hand Saw
- Circular Saw/Jig Saw
- Combination/Speed Square
- Safety Glasses/Work Boots/Proper attire
- Tool Belt/Tool Box
- Pencil
- Extension Cord

(If there is anything that is not listed, that will be needed, then I will supply them from my shop area.)